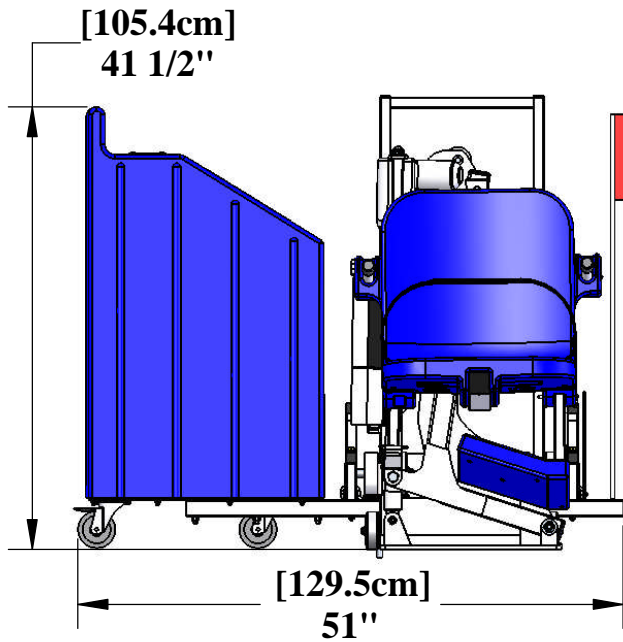
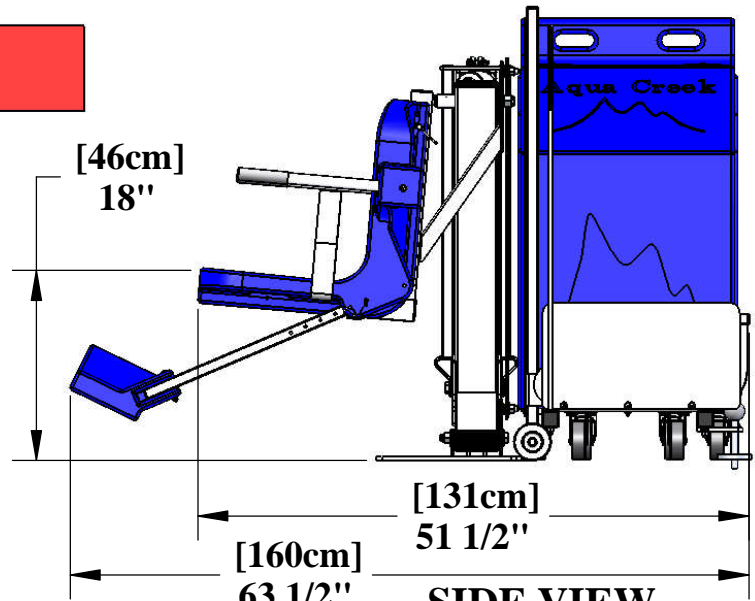


PATRIOT-AT™ PORTABLE LIFT

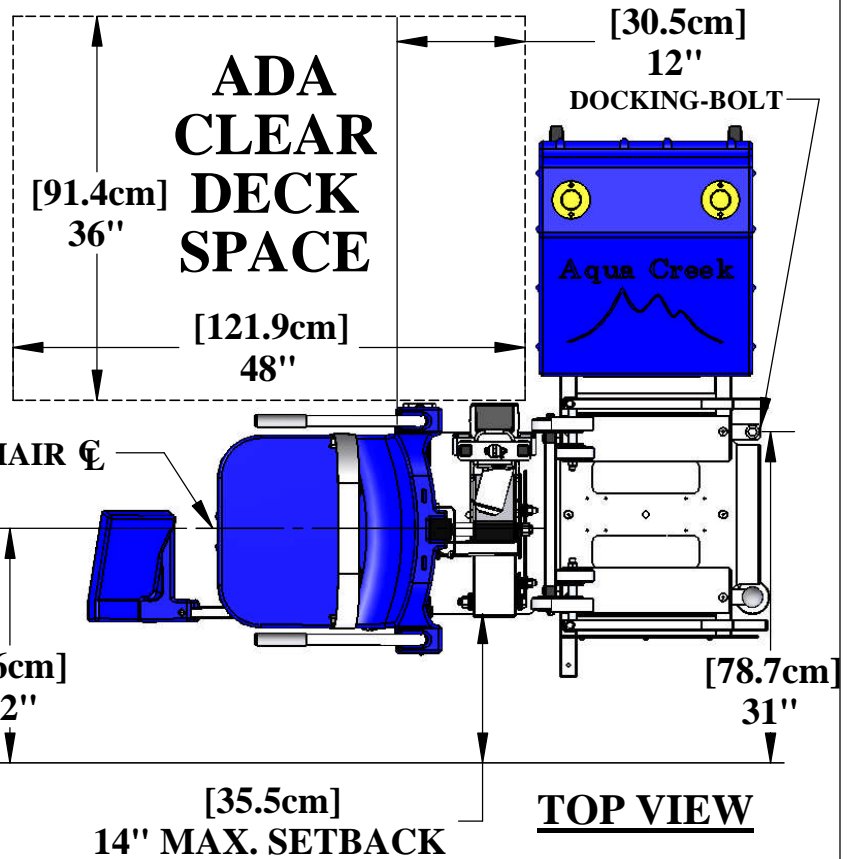
U.S. PATENT NO'S: [7,249,386 B2] [5,790,995] [D507,769 S]



FRONT VIEW



SIDE VIEW



TOP VIEW

Inspected And Verified To Meet
Applicable Sections of ADA
Guidelines Section 1009.2 By

wyle
laboratories

A Registered ISO 9001
Laboratory



DECK [56cm]
22''

POOL

[35.5cm]
14'' MAX. SETBACK



The Total Solution for Pool and Spa Access

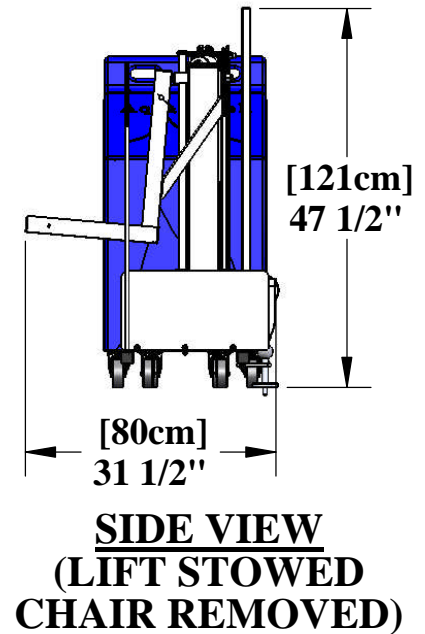
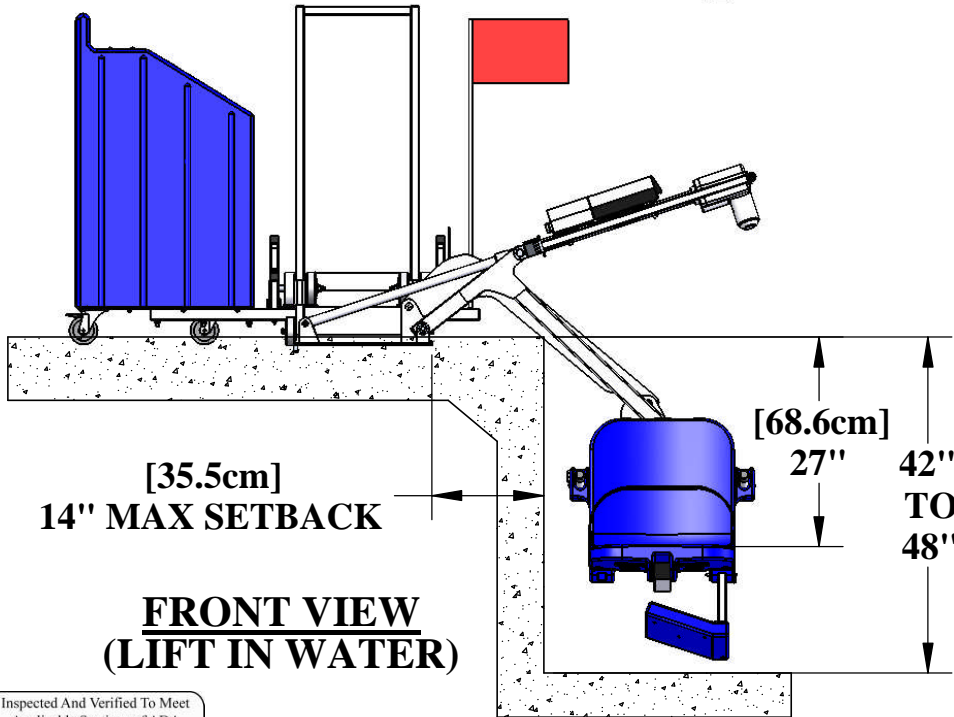
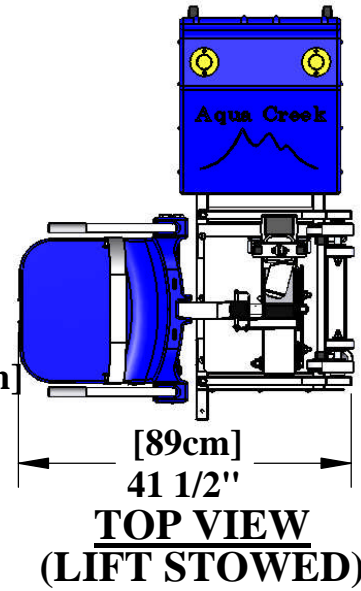
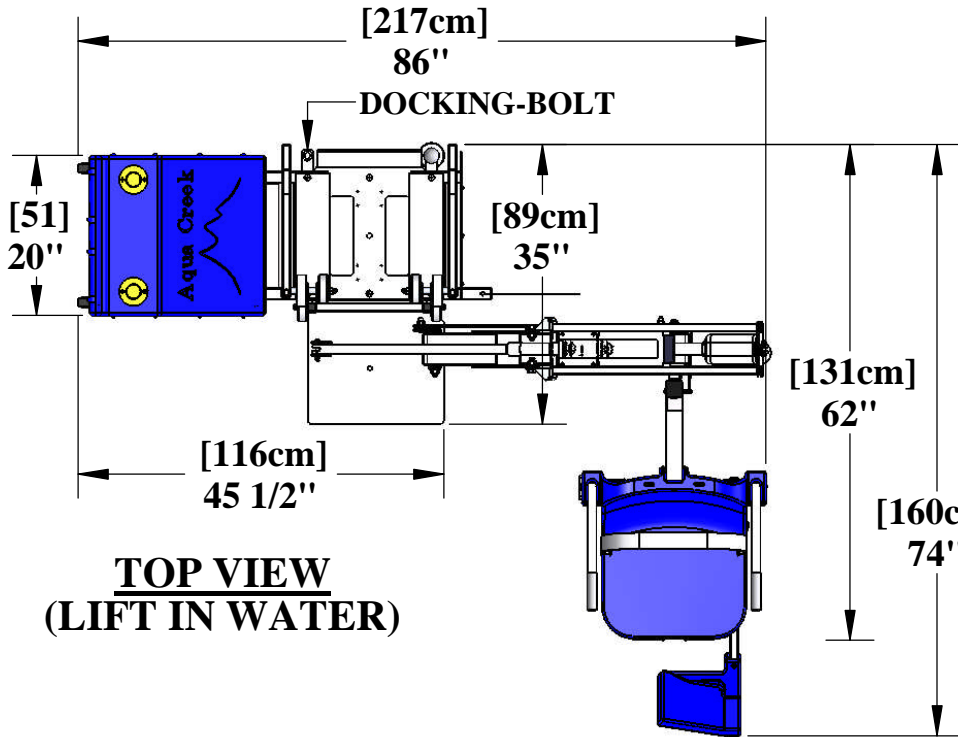
9889 GARRYMORE LANE
MISSOULA, MT 59808
(406) 549-0769
FAX (406) 549-2602

NOTE:
*SPECIFICATIONS ARE SUBJECT TO CHANGE WITHOUT NOTICE

PRODUCT:	F-12PPL-HD-AT1	
DWG #:	F-12PPL-HD-AT1-1	
SCALE:	1:24	DATE: 9/26/12
DRAWN BY:	DS	REVISION: B

PATRIOT-AT™ PORTABLE LIFT

U.S. PATENT NO'S: [7,249,386 B2] [5,790,995] [D507,769 S]



Inspected And Verified To Meet
Applicable Sections of ADA
Guidelines Section 1009.2 By
wyle
laboratories
A Registered ISO 9001
Laboratory



Aqua Creek Products
The Total Solution for Pool and Spa Access

9889 GARRYMORE LANE
MISSOULA, MT 59808
(406) 549-0769
FAX (406) 549-2602

NOTE:
*SPECIFICATIONS ARE SUBJECT TO CHANGE WITHOUT NOTICE

PRODUCT:	F-12PPL-HD-AT1	
DWG #:	F-12PPL-HD-AT1-2	
SCALE:	1:24	DATE: 9/26/12
DRAWN BY:	DS	REVISION: B

PATRIOT-AT™ PORTABLE LIFT

U.S. PATENT NO'S: [7,249,386 B2] [5,790,995] [D507,769 S]

SPECIFICATIONS:

LIFTING CAPACITY: 450 lbs [204 kg]
STATIC LOAD CAPACITY: 675 lbs [306 kg]

MAX. DRAFT (DECK TO WATER): 9.0" [229mm]
MAX. SETBACK (SEE PAGE 2): 14" [355mm]
MINIMUM SETBACK DISTANCE: 9.0" [229mm]

OVERALL HEIGHT (MAX): 47-1/2" [121cm]
MAX. WIDTH (DEPLOYED): 63" [160cm]
MAX. LENGTH (DEPLOYED): 85-1/2" [217cm]
STOWED LENGTH (MAX): 51" [129.5cm]
STOWED WIDTH (CHAIR ON): 35" [89cm]
STOWED WIDTH (CHAIR OFF): 31-1/2" [80cm]

WEIGHT (BALLAST TANK EMPTY): 275lbs [125kg]
WEIGHT (BALLAST TANK FILLED): 875lbs [397kg]

MATERIALS:

LIFT FRAME: TYPE 304 STAINLESS STEEL
PORTABLE CART: TYPE 304 STAINLESS STEEL & POLYETHYLENE
BALLAST TANK: LLDPE POLYETHYLENE
BALLAST MATERIAL: MEDIUM-GRAIN SAND (500lbs [227 kg])
DOCKING BOLT: ϕ 1/2"-13 X 4", TYPE 316 SS
CHAIR & FOOTREST: LLDPE POLYETHYLENE
SAFETY BELT: HEAVY-DUTY POLYESTER STRAP, HOOK & LOOP FASTENER
POWDER COATING: EPOXY, APPLIANCE WHITE

STANDARD EQUIPMENT:

DUAL FLIP-UP ARMRESTS, FLIP-UP FOOTREST, SAFETY BELT

AVAILABLE OPTIONS:

HEADREST ASSEMBLY (PN: F-422PLH)
PULLOUT LEGREST: (PN: F-105LAR)
COVER, LOCKING (PN: F-12PPC)

Inspected And Verified To Meet
Applicable Sections of ADA
Guidelines Section 1009.2 By

wyle
laboratories

A Registered ISO 9001
Laboratory



9889 GARRYMORE LANE
MISSOULA, MT 59808
(406) 549-0769
FAX (406) 549-2602

NOTE:
*SPECIFICATIONS ARE SUBJECT TO CHANGE WITHOUT NOTICE


Aqua Creek Products

The Total Solution for Pool and Spa Access

PRODUCT:	F-12PPL-HD-AT	
DWG #:	F-12PPL-HD-AT-3	
SCALE:	1:24	DATE: 9/26/12
DRAWN BY:	DS	REVISION: B