

MODEL: 5LES26337A1FTB.V2*

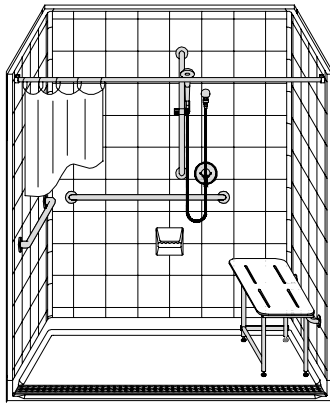
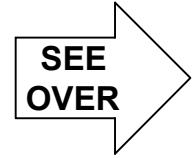
ALL ACCESSORIES OPTIONAL



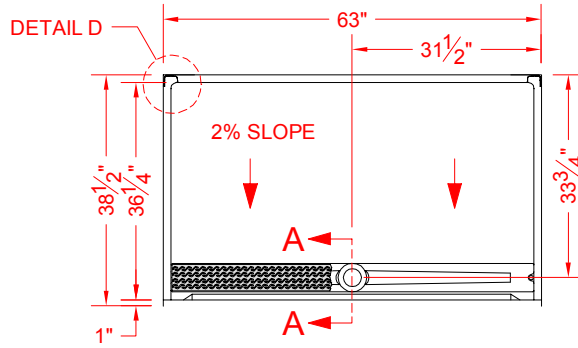
**ADA
COMPLIANT**



CA TITLE 24
COMPLIANT



PERSPECTIVE VIEW - N.T.S.
MODEL SHOWN HERE AS:
RIGHT PLUMBING
RIGHT SEAT



TOP VIEW - SCALE 3/8" = 1'-0"

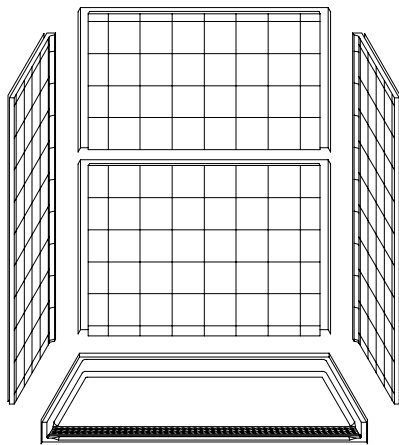
Features:

- ADA compliant, multi-piece, roll-in shower with trench drain and stainless steel grate with magnetic attachment
- Available in various threshold heights
- Molded, five-piece gelcoat/fiberglass shower module
- "Eight Inch Tile" wall finish, white (standard)
- Integral full wood backing for strength and unlimited accessory placement

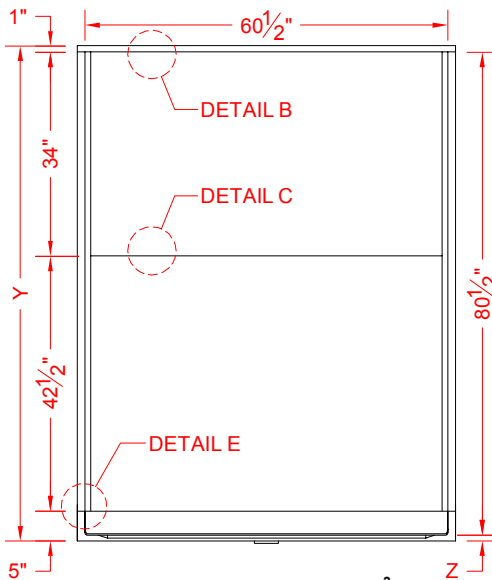
*OTHER THRESHOLD HEIGHTS AVAILABLE UPON REQUEST

MODEL #	UNIT HEIGHT	THRESHOLD HEIGHT
5LES26337A1FTB.V2	Y	Z*
5LES26337A2FTB.V2	82-1/2"	1" MIN.
	83-1/2"	2" MAX.

* - SEE BACK FOR DETAIL SECTIONS



ASSEMBLY VIEW - N.T.S.



FRONT ELEVATION - SCALE: 3/8" = 1'-0"

PRODUCT SPECIFICATIONS:

- Multi-piece shower module shall be constructed of gelcoat/fiberglass with full integral plywood backing and have a stainless steel trench drain grate with magnetic attachment.
- Rough-In: Stud opening +1/4" -0" Nominal Dimensions.
- C.S.I. FORMAT SPECIFICATION TEXT AVAILABLE

PRODUCT INFORMATION:

- Accessories: Factory installed, unless prone to damage during installation/shipping. Polished chrome/satin stainless standard, others available.
- Colors: White as standard, others to match any major fixture manufacturer, also available with sprayable solid surface in many colors
- Custom curb heights, other than shown, are available (between min. and max.)

ACCESSORIES:

INSTALLED BY OTHERS:

- Grab bar
- Seat, folding
- Mixing valve, pressure-balancing, lever handle, pre-plumbed tree to supply elbow
- Curtain and rod
- T-shaped rubber WaterStopper kit
- Semi-permanent threshold adaptor
- No-caulk brass drain (included with grate)

CODES:

- Designed and manufactured in compliance with the following standards and codes:
- A.N.S.I. Z124.2 Standards for Plastic Showers
 - I.P.C. International Plumbing Code
 - U.P.C. Uniform Plumbing Code
 - A.D.A. Accessibility Guidelines for Buildings and Facilities
 - A.N.S.I. A117.1 Accessible and Usable Buildings and Facilities

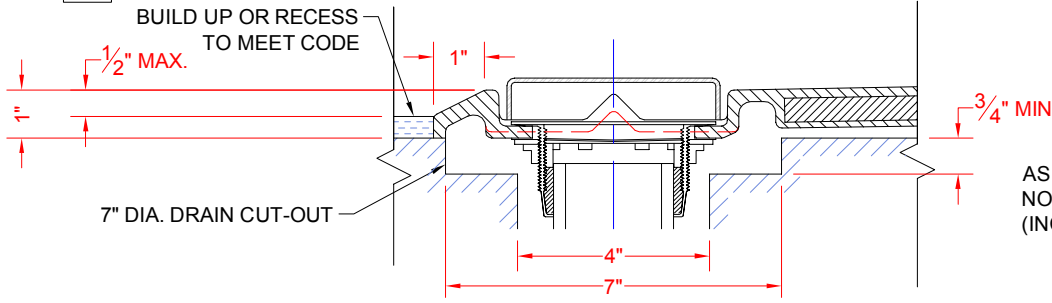
NOTICE OF LIMITATION:

- Recess as needed to meet code
- Adhere to floor as required



We reserve the right to make revisions without notice in the design of fixtures or in packaging unless this right has specifically been waived at the time the order is accepted.

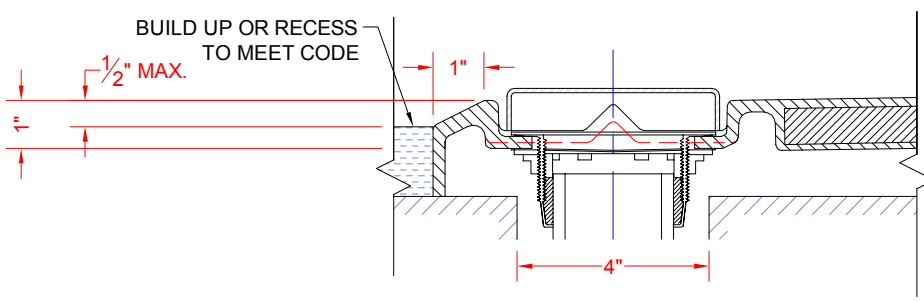
5LES26337A1FTB.V2



AS INSTALLED WITH SOLID BRASS,
NO-CAULK DRAIN FITTING
(INCLUDED, INSTALLED BY OTHERS)

SECTION A-A - SCALE: 3" = 1'-0"

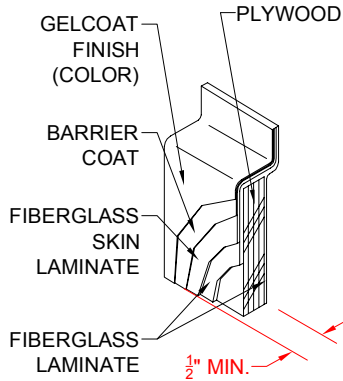
5LES26337A2FTB.V2



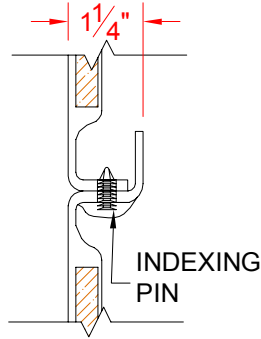
AS INSTALLED WITH SOLID BRASS,
NO-CAULK DRAIN FITTING
(INCLUDED, INSTALLED BY OTHERS)

SECTION A-A - SCALE: 3" = 1'-0"

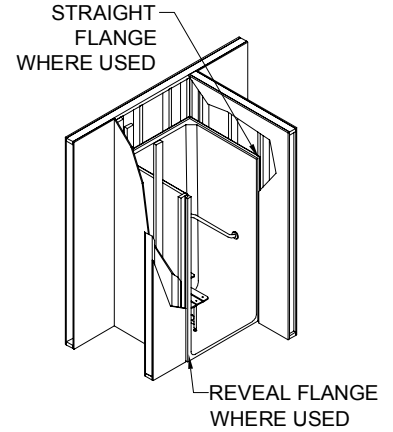
****OTHER THRESHOLD HEIGHTS AVAILABLE UPON REQUEST****



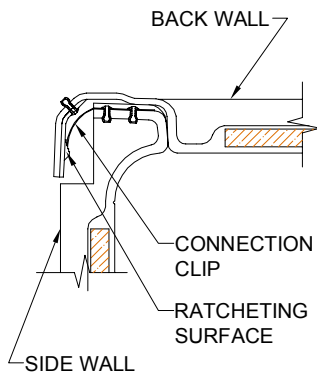
DETAIL B - SCALE: N.T.S.
WALL SECTION DETAIL



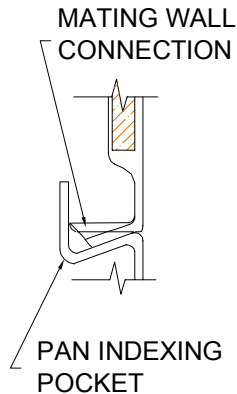
DETAIL C - SCALE: N.T.S.
BACK WALL JOINT DETAIL



TYPICAL FRAMING



DETAIL D - SCALE: N.T.S.
WALL JOINT DETAIL



DETAIL E - SCALE: N.T.S.
PAN JOINT DETAIL