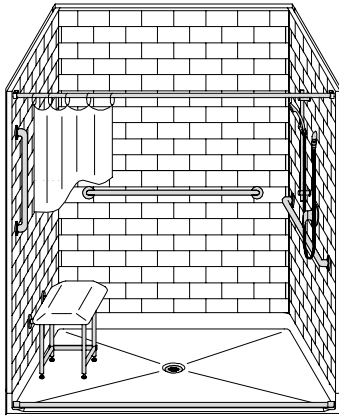


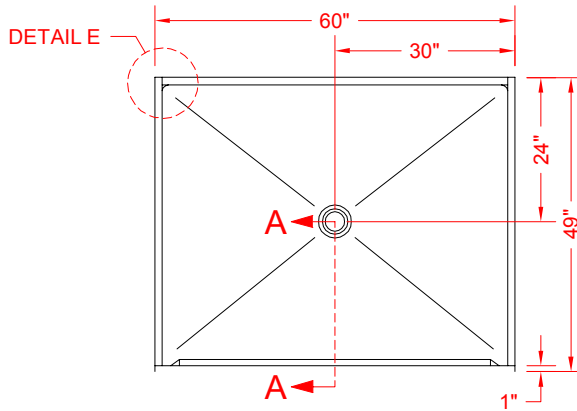
# MODEL: 5LBS6048FB1B\*

# BARRIER FREE

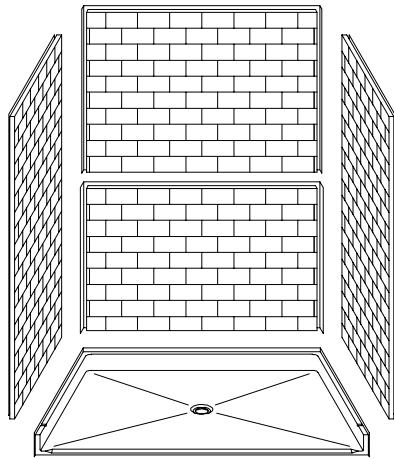
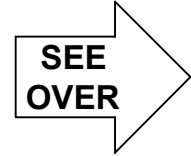
ALL ACCESSORIES OPTIONAL



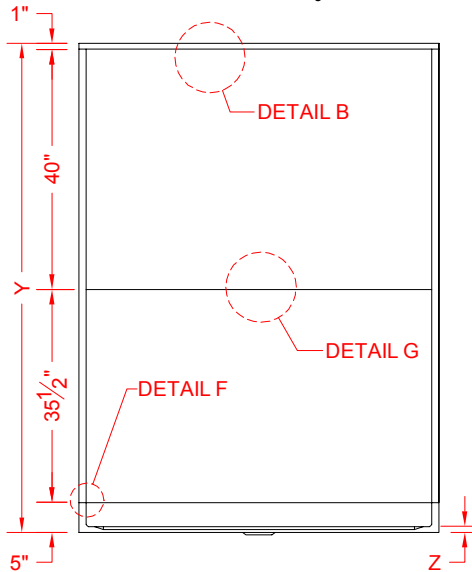
**PERSPECTIVE VIEW - N.T.S.**  
MODEL SHOWN HERE AS:  
RIGHT PLUMBING  
LEFT SEAT



**TOP VIEW - SCALE  $\frac{3}{8}'' = 1'-0''$**



**ASSEMBLY VIEW - N.T.S.**



**FRONT ELEVATION - SCALE:  $\frac{3}{8}'' = 1'-0''$**

## Features:

- Molded, five-piece gelcoat/fiberglass barrier free shower module
- Available in various threshold heights
- "Subway Tile", 4" x 8" simulated tile wall finish, white (standard)
- Integral full wood backing for strength and unlimited accessory placement
- On all threshold heights 1-1/2" or taller, no mud set is required
- On all threshold heights 1-1/4" or shorter, no mud set is required and an anchoring adhesive kit is supplied
- Flat back wall to avoid interference for window trim kits, grab bars, etc.

## \*OTHER THRESHOLD HEIGHTS AVAILABLE UPON REQUEST

MODEL #	UNIT HEIGHT	THRESHOLD HEIGHT
	Y	Z*
5LBS6048FB1B	81-1/2"	1" MIN.
5LBS6048FB2B	82-1/2"	2" MAX.

\* - SEE BACK FOR DETAIL SECTIONS

## PRODUCT SPECIFICATIONS:

- Multi-piece shower module shall be constructed of gelcoat/fiberglass with full integral plywood backing
- Rough-In: Stud opening +1/4" -0" Nominal Dimensions.

C.S.I. FORMAT SPECIFICATION TEXT AVAILABLE

## PRODUCT INFORMATION:

- Accessories: Polished chrome/satin stainless standard, others available.
- Colors: White as standard, others to match any major fixture manufacturer, also available with sprayable solid surface in many colors
- Custom curb heights, other than shown, are available (between min. and max.)

## ACCESSORIES:

### INSTALLED BY OTHERS:

- Grab bar
- Seat, folding
- Mixing valve, pressure balanced, lever handle, pre-plumbed tee to supply elbow
- Soap dish
- Curtain and rod
- T-Shaped Rubber WaterStopper Kit
- Semi-permanent Threshold Adaptor
- No-caulk brass drain

## CODES:

- Designed and manufactured in compliance with the following standards and codes:
- ANSI Z124.2 Standards for Plastic Showers
  - IPC International Plumbing Code
  - UPC Uniform Plumbing Code
  - ICC/ANSI A117.1-2009 Type B

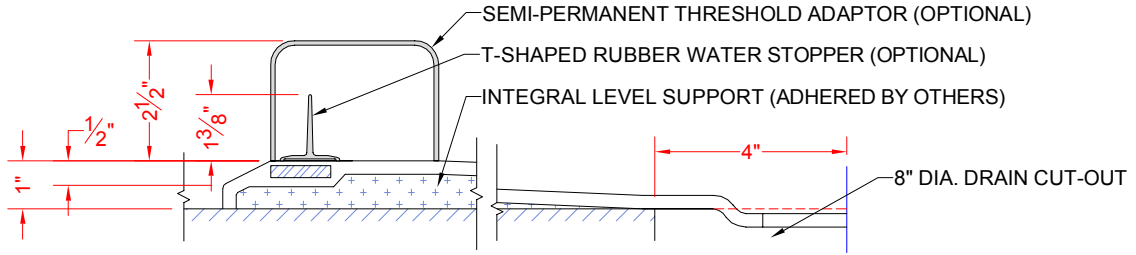
## NOTICE OF LIMITATION:

- Adhere to floor as required



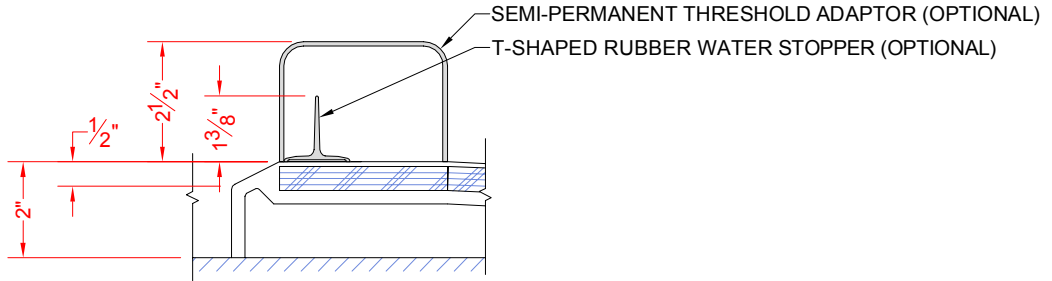
We reserve the right to make revisions without notice in the design of fixtures or in packaging unless this right has specifically been waived at the time the order is accepted.

□ 5LBS6048FB1B



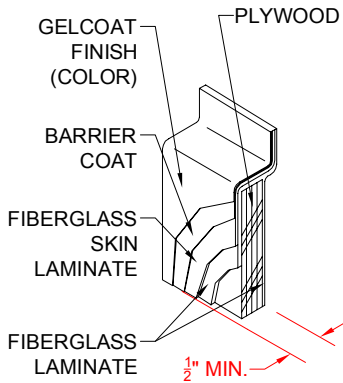
SECTION A-A - SCALE: 3" = 1'-0"

□ 5LBS6048FB2B

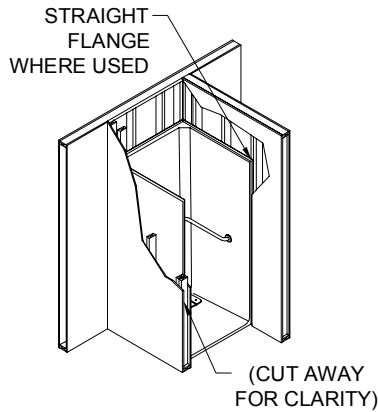


SECTION A-A - SCALE: 3" = 1'-0"

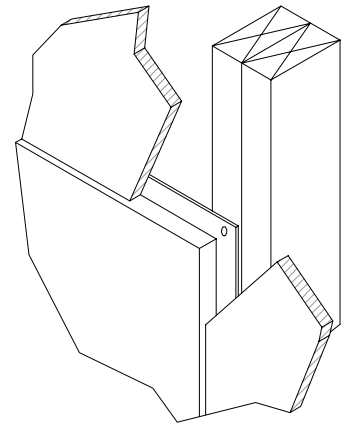
**\*\*OTHER THRESHOLD HEIGHTS AVAILABLE UPON REQUEST\*\***



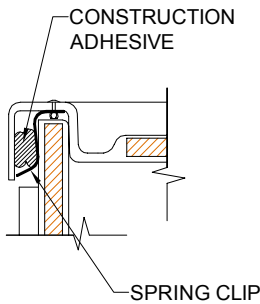
DETAIL B - SCALE: 3" = 1'-0"  
 WALL SECTION DETAIL



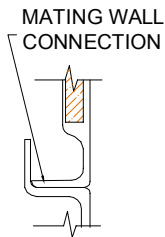
DETAIL C - SCALE: NTS  
 TYPICAL FRAMING



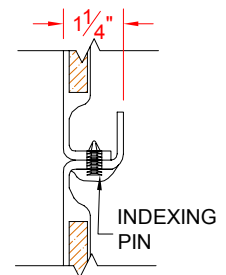
DETAIL D - SCALE: NTS  
 TYPICAL DRYWALL



DETAIL E - SCALE: 3" = 1'-0"  
 WALL JOINT DETAIL



DETAIL F - SCALE: 3" = 1'-0"  
 PAN JOINT DETAIL



DETAIL G - SCALE: 3" = 1'-0"  
 WALL JOINT