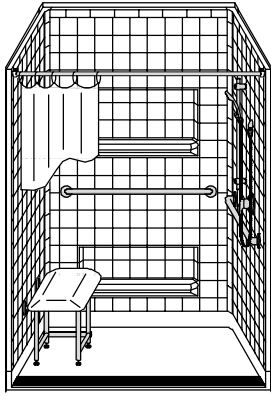


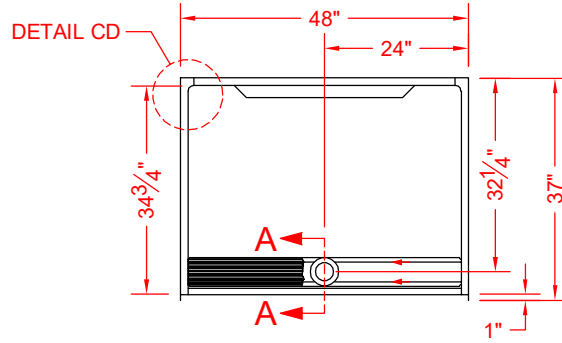
MODEL: 4LRS24836B75FTT.V3*

BARRIER FREE

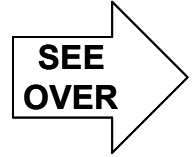
*ALL ACCESSORIES OPTIONAL



PERSPECTIVE VIEW - N.T.S.

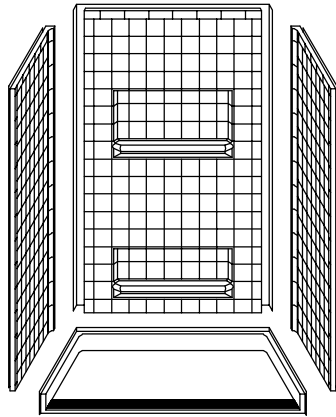


TOP VIEW - SCALE $\frac{3}{8}$ " = 1'-0"

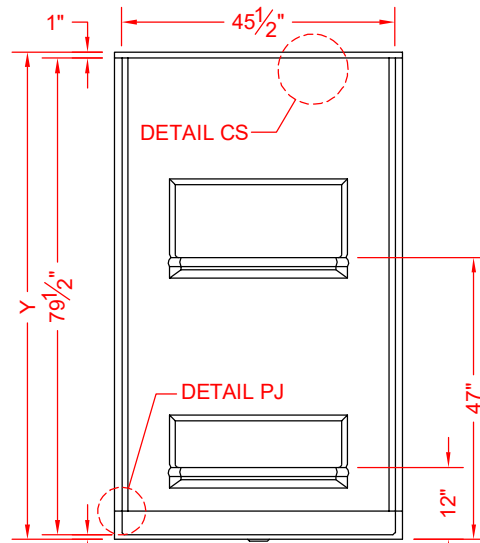


Features:

- Molded, four-piece gelcoat/fiberglass shower module
- "RealTile" wall finish, white (standard)
- Integral full wood backing for strength and unlimited accessory placement
- Available in various threshold heights
- On all threshold heights 1-1/4" or shorter, no mud set is required, but an adhesive kit is supplied
- On all threshold heights 1-1/2" or taller, no mud set is required



ASSEMBLY VIEW - N.T.S.



FRONT ELEVATION - SCALE: $\frac{3}{8}$ " = 1'-0"

*OTHER THRESHOLD HEIGHTS AVAILABLE UPON REQUEST

| MODEL # | UNIT THRESHOLD HEIGHT | |
|--------------------|-----------------------|----------|
| | Y | Z* |
| 4LRS24836B75FTT.V3 | 81-1/4" | 3/4" MIN |
| 4LRS24836B2FTT.V3 | 82-1/2" | 2" MAX |

* - SEE BACK FOR DETAIL SECTIONS

PRODUCT SPECIFICATIONS:

- Multi-piece shower module shall be constructed of gelcoat/fiberglass with full integral plywood backing and a stainless steel drain grate.
- Rough-In: Stud opening +1/4" -0" Nominal Dimensions.

C.S.I. FORMAT SPECIFICATION TEXT AVAILABLE

PRODUCT INFORMATION:

- Accessories: Factory installed, unless prone to damage during installation/shipping. Polished chrome/satin stainless standard, others available.
- Colors: White as standard, others to match any major fixture manufacturer, also available with sprayable solid surface in many colors
- Custom curb heights, other than shown, are available (between min. and max.)

OPTIONAL ACCESSORIES:

- INSTALLED BY OTHERS:
- Seat, folding
 - Grab bar
 - Soap dish
 - Mixing valve, pressure-balancing, lever handle, pre-plumbed tree to supply elbow
 - Curtain rod brackets
 - Curtain and rod
 - Trench Grate and No-Caulk drain (INCLUDED)

CODES:

Designed and manufactured in compliance with the following standards and codes:
 -ANSI Z124.2 Standards for Plastic Showers
 -UPC / IPC compliant when in accordance with Section 408.5 (UPC, 2021)

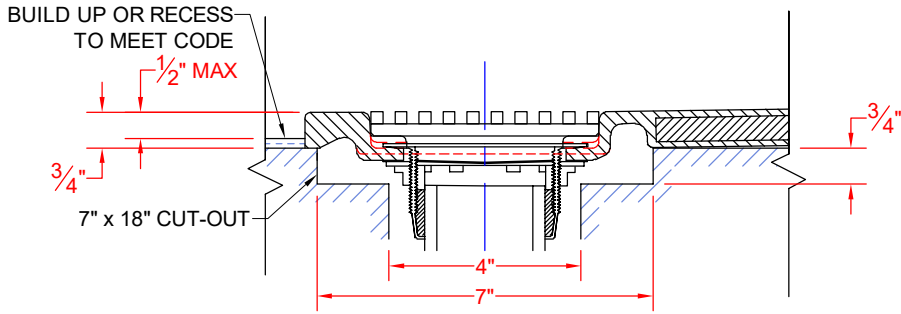
NOTICE OF LIMITATION:

- Recess as needed to meet code
- Adhere to floor as required

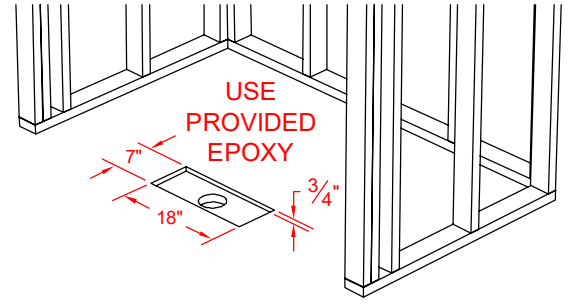


We reserve the right to make revisions without notice in the design of fixtures or in packaging unless this right has specifically been waived at the time the order is accepted.

4LRS24836B75FTT.V3

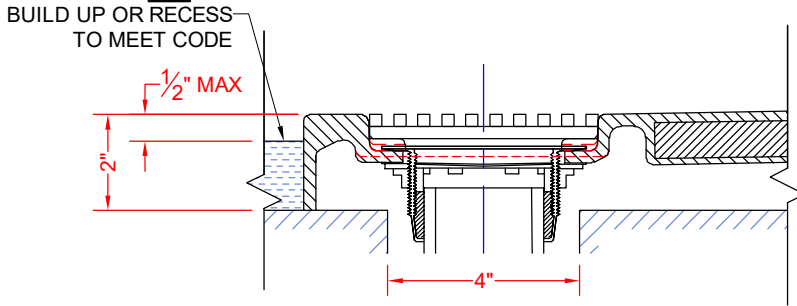


SECTION A-A - SCALE: 3" = 1'-0"

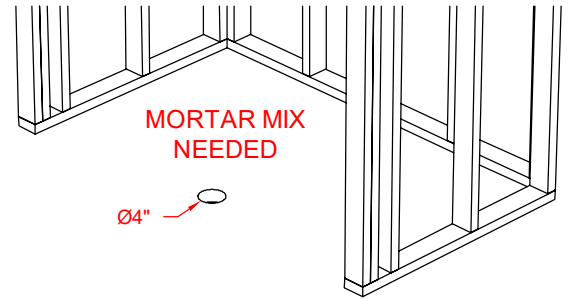


FOR MODEL 4LRS24836B75FTT.V3

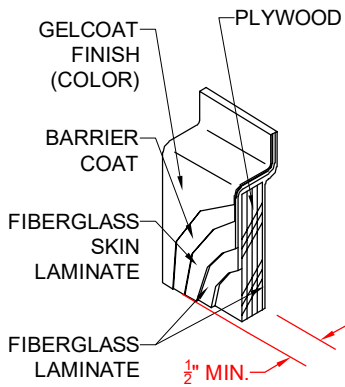
4LRS24836B2FTT.V3



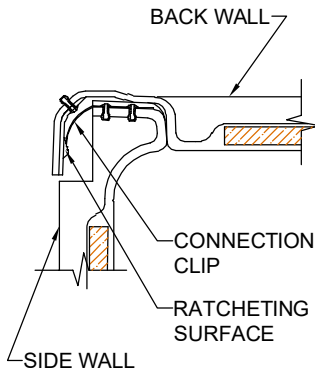
SECTION A-A - SCALE: 3" = 1'-0"



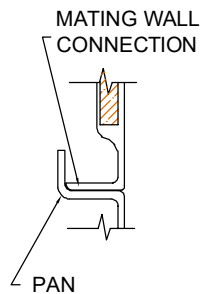
****OTHER THRESHOLD HEIGHTS AVAILABLE UPON REQUEST****



**DETAIL CS - SCALE: N.T.S.
CROSS SECTION DETAIL**



**DETAIL CD - SCALE: 3" = 1'-0"
CORNER DETAIL**



**DETAIL PJ - SCALE: 3" = 1'-0"
PAN JOINT DETAIL**