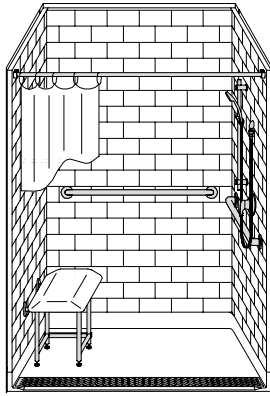


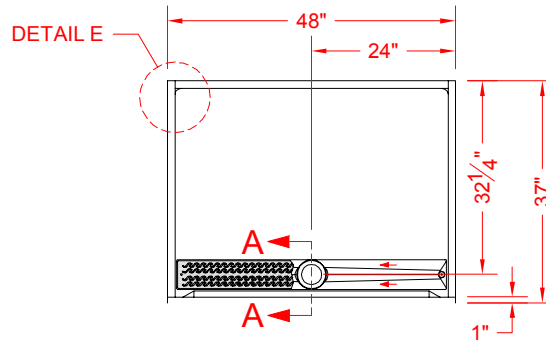
MODEL: 4LBS24836FB75FTB*

BARRIER FREE

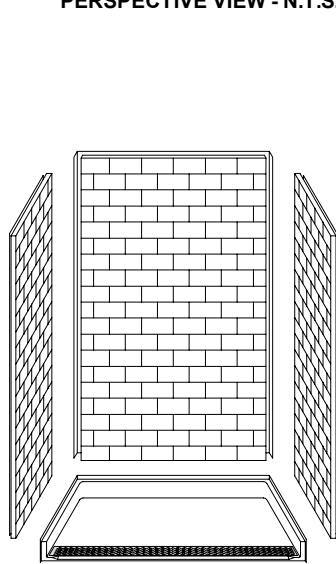
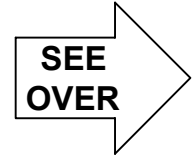


PERSPECTIVE VIEW - N.T.S.

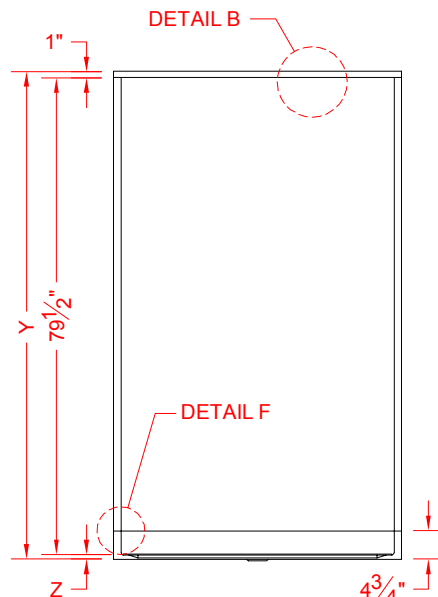
ALL ACCESSORIES OPTIONAL



TOP VIEW - SCALE $\frac{3}{8}'' = 1'-0''$



ASSEMBLY VIEW - N.T.S.



FRONT ELEVATION - SCALE: $\frac{3}{8}'' = 1'-0''$

Features:

- Molded, four piece gelcoat/fiberglass shower module with trench drain under a stainless steel grate
- Available in various threshold heights
- "Subway Tile" wall finish, white (standard)
- Integral full wood backing for strength and unlimited accessory placement
- No mud set is required, but an adhesive kit is supplied
- Flat upper back wall to avoid interference for window trim kits, grab bars, etc.

*OTHER THRESHOLD HEIGHTS AVAILABLE UPON REQUEST

MODEL #	UNIT HEIGHT	THRESHOLD HEIGHT
	Y	Z*
4LBS24836FB75FTB	81-1/4"	3/4" MIN.
4LBS24836FB2FTB	82-1/2"	2" MAX.

* - SEE BACK FOR DETAIL SECTIONS

PRODUCT SPECIFICATIONS:

- Multi piece shower module shall be constructed of gelcoat/fiberglass with full integral plywood backing and a stainless steel drain grate.
- Rough-In: Stud opening +1/4" -0" Nominal Dimensions.

C.S.I. FORMAT SPECIFICATION TEXT AVAILABLE

PRODUCT INFORMATION:

- Accessories: Factory installed, unless prone to damage during installation/shipping. Polished chrome/satin stainless standard, others available.
- Colors: White as standard, others to match any major fixture manufacturer, also available with sprayable solid surface in many colors
- Custom curb heights, other than shown, are available (between min. and max.)

ACCESSORIES:

INSTALLED BY OTHERS:

- Grab bar
- Seat, folding
- Mixing valve, pressure balanced, lever handle, pre-plumbed tree to supply elbow
- Curtain and rod
- Trench Grate and No-Caulk drain (INCLUDED)

CODES:

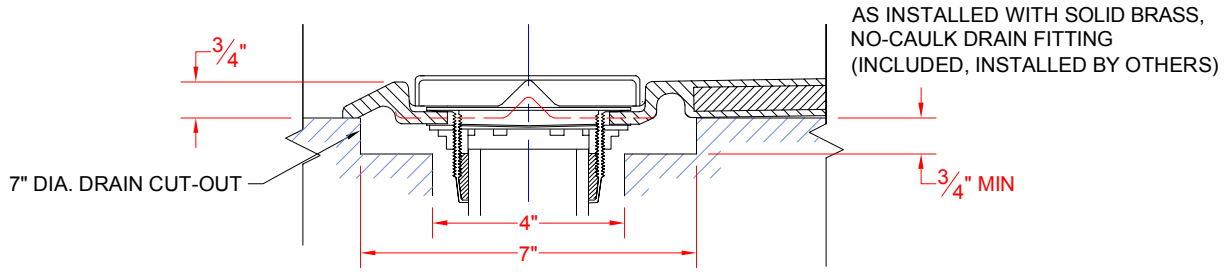
- Designed and manufactured in compliance with the following standards and codes:
- A.N.S.I. Z124.2 Standards for Plastic Showers
- I.P.C. International Plumbing Code
- U.P.C. Uniform Plumbing Code

NOTICE OF LIMITATION:



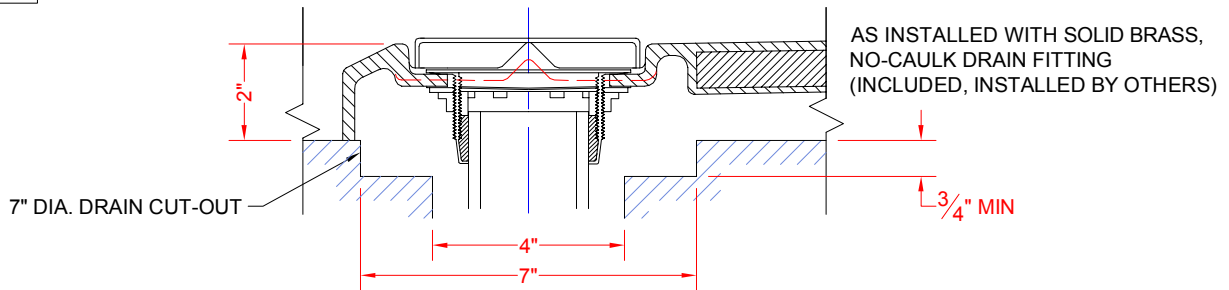
We reserve the right to make revisions without notice in the design of fixtures or in packaging unless this right has specifically been waived at the time the order is accepted.

4LBS24836FB5FTB



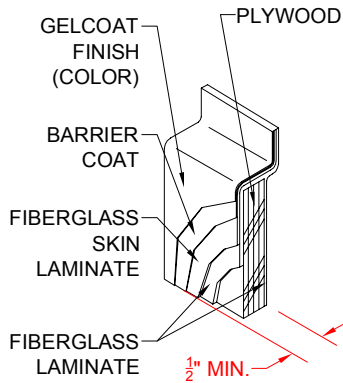
SECTION A-A - SCALE: 3" = 1'-0"

4LBS24836FB2FTB

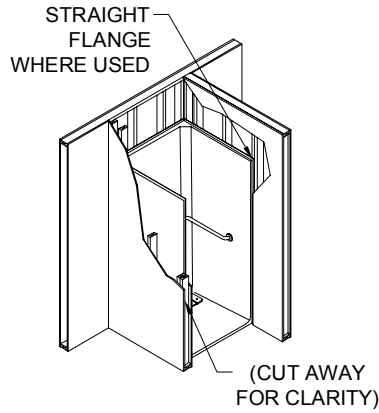


SECTION A-A - SCALE: 3" = 1'-0"

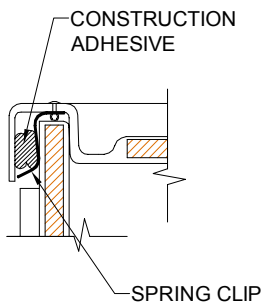
****OTHER THRESHOLD HEIGHTS AVAILABLE UPON REQUEST****



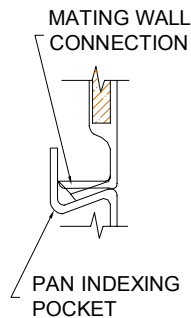
DETAIL B - SCALE: NTS
WALL SECTION DETAIL



DETAIL C - SCALE: NTS
TYPICAL FRAMING



DETAIL E - SCALE: NTS
WALL JOINT DETAIL



DETAIL F - SCALE: NTS
PAN JOINT DETAIL