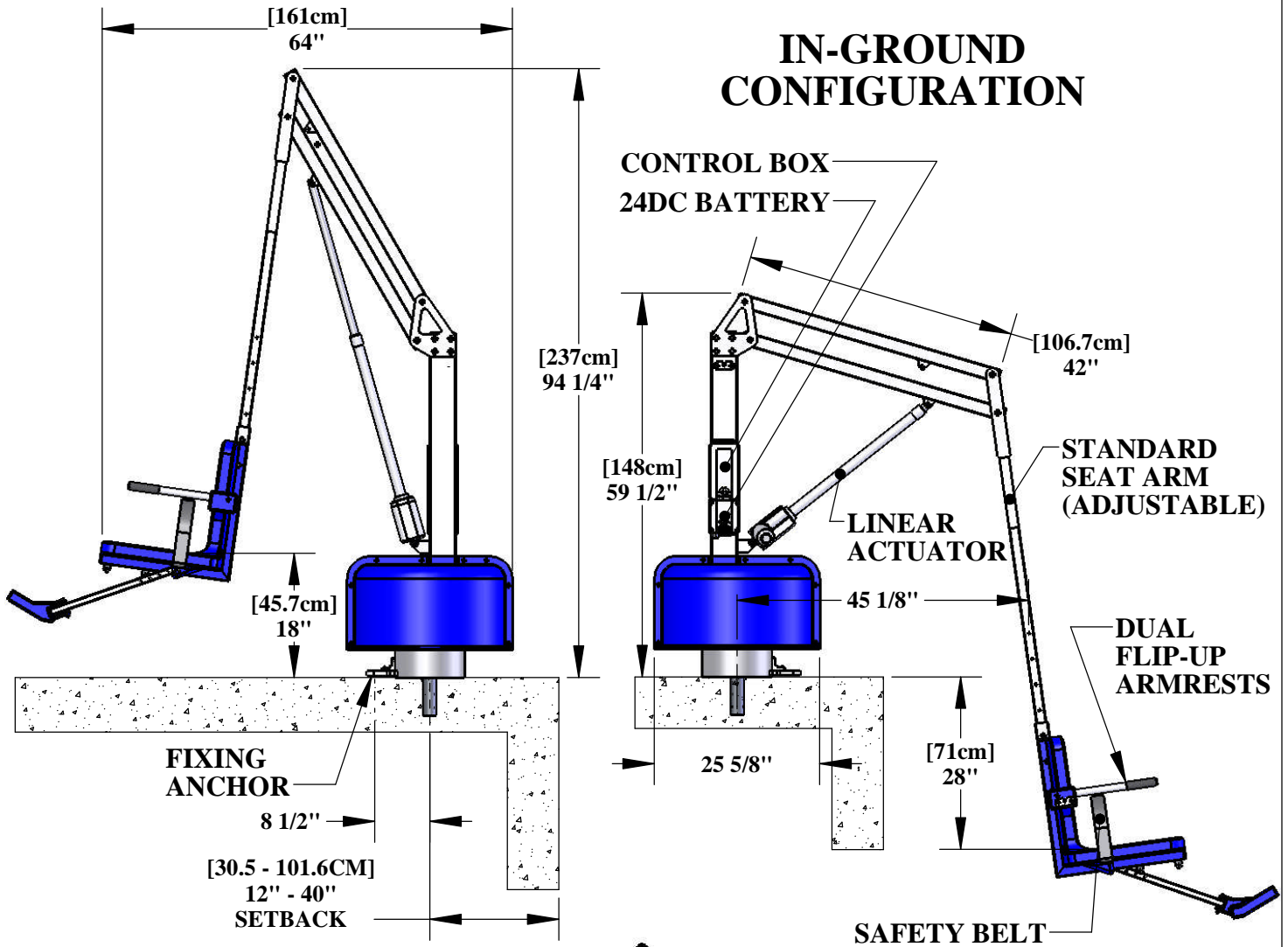


THE REVOLUTION LIFT™

US PATENT NO. D507,769 S

IN-GROUND CONFIGURATION



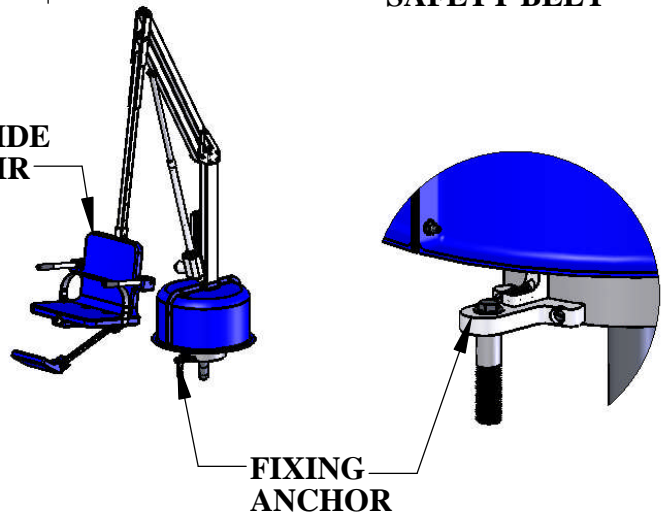
Inspected And Verified To Meet
 Applicable Sections of ADA
 Guidelines Section 1009.2 By

wyle
 laboratories

An ISO 9001:2008
 Registered Laboratory



22" WIDE
 CHAIR



9889 GARRYMORE LANE
 MISSOULA, MT 59808
 (406) 549-0769
 FAX (406) 549-2602

NOTE:
 *SPECIFICATIONS ARE SUBJECT TO CHANGE WITHOUT NOTICE
 *ALL DIMENSIONS ARE IN INCHES

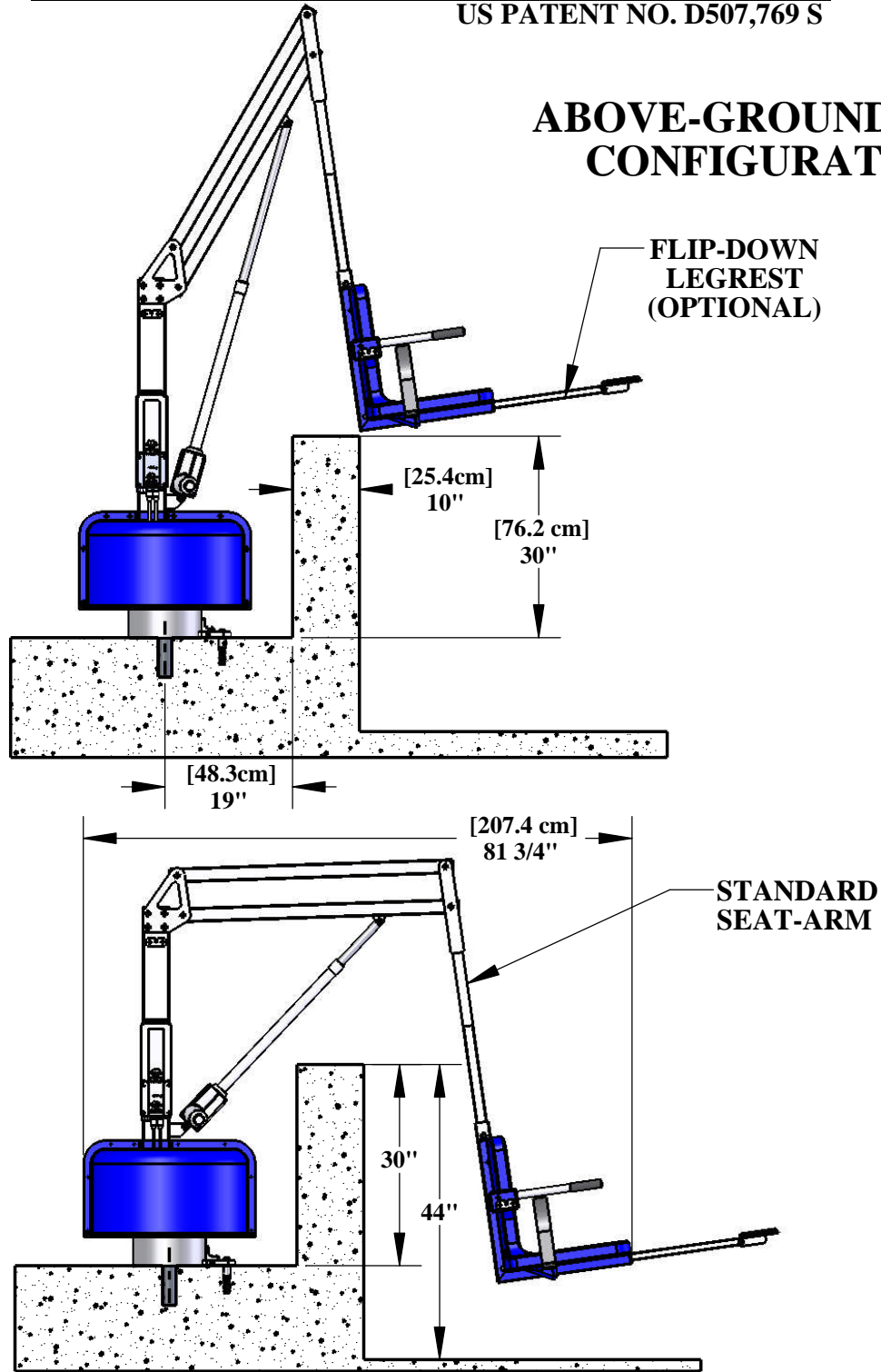
Aqua Creek Products
 The Total Solution for Pool and Spa Access

PRODUCT:	F-700RL	
DWG #:	F-700RL-1	
SCALE:	1:24	DATE: 9/27/12
DRAWN BY:	DS	REVISION: N

THE REVOLUTION LIFT

US PATENT NO. D507,769 S

ABOVE-GROUND (SPA) CONFIGURATION



WITH THE SEAT MOUNTED AT ITS HIGHEST POSITION THE REVOLUTION LIFT WILL CLEAR A 30" [76 cm] HIGH BY 10" [25.4cm] THICK WALL. THE SETBACK DISTANCE FOR THIS SITUATION IS 21" [53.3cm]. FOR OTHER APPLICATIONS AN OPTIONAL SPA SEAT-ARM IS AVAILABLE, MAKING IT POSSIBLE FOR THE REVOLUTION LIFT TO CLEAR UP TO A 48" [121.9cm] HIGH WALL. AN OPTIONAL FLIP-DOWN LEGREST IS ALSO AVAILABLE FOR ABOVE-GROUND APPLICATIONS (SHOWN).

9889 GARRYMORE LANE
MISSOULA, MT 59808
(406) 549-0769
FAX (406) 549-2602



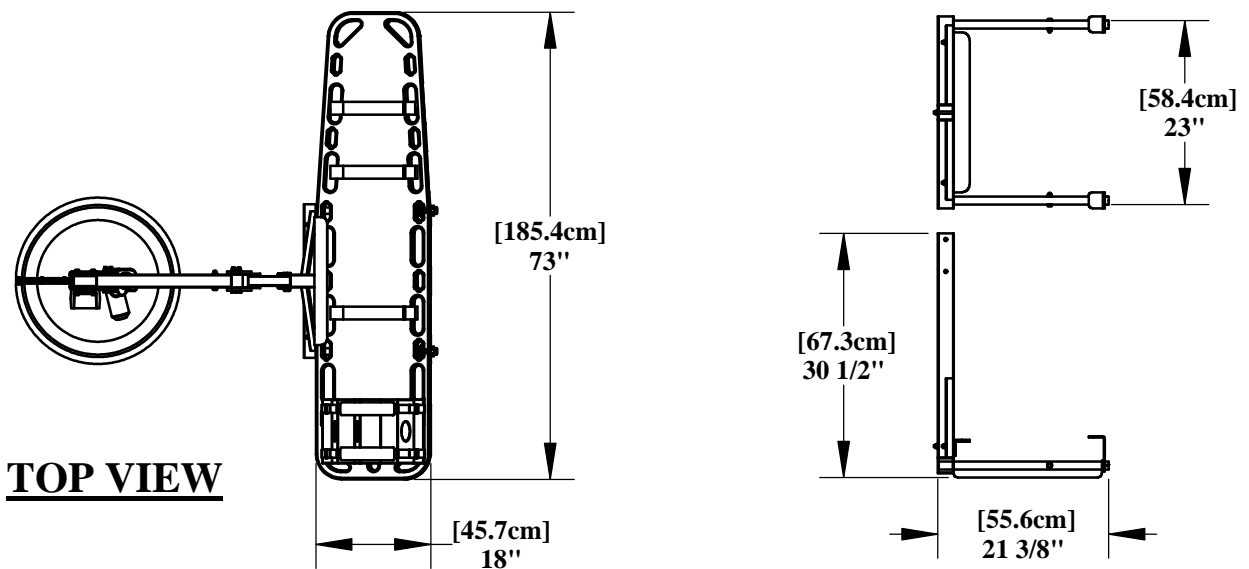
Aqua Creek Products

The Total Solution for Pool and Spa Access

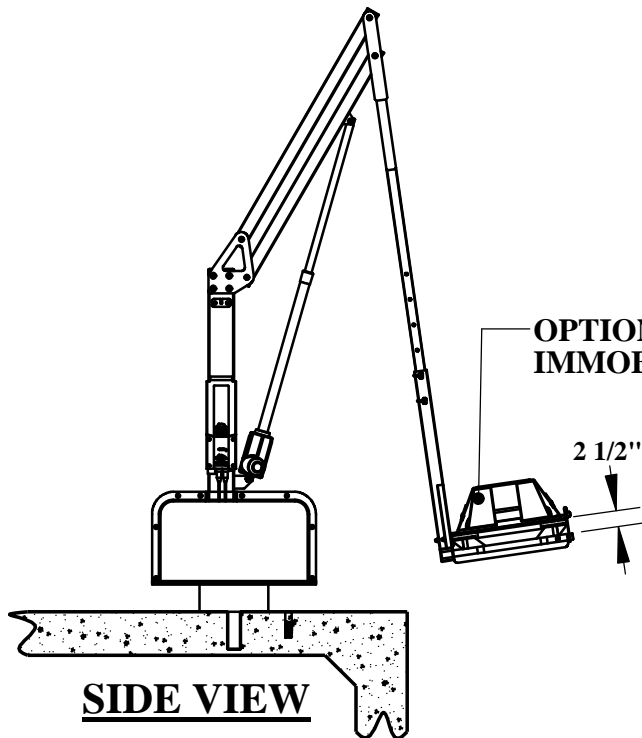
NOTE:
*SPECIFICATIONS ARE SUBJECT TO CHANGE WITHOUT NOTICE
*ALL DIMENSIONS ARE IN INCHES

PRODUCT:	F-700RL	
DWG #:	F-700RL-2	
SCALE:	1:24	DATE: 9/27/12
DRAWN BY:	DS	REVISION: N

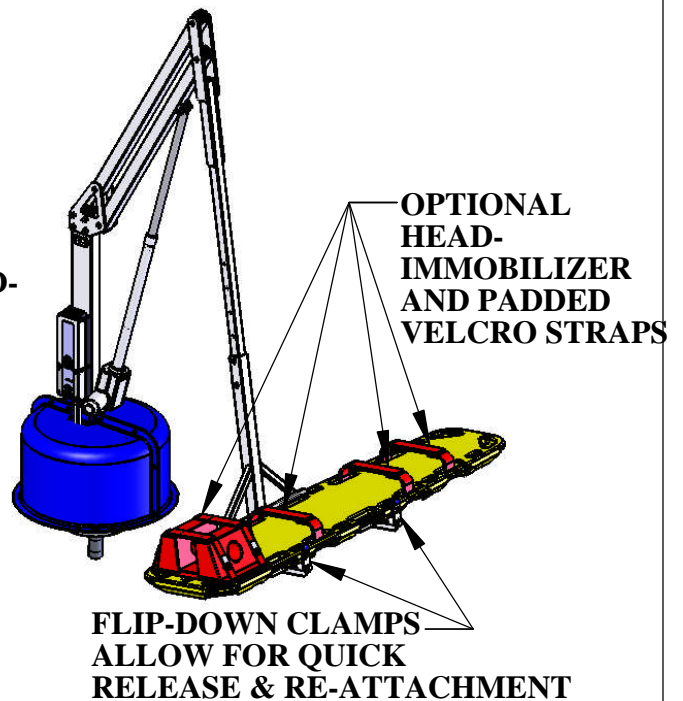
REVOLUTION LIFT WITH OPTIONAL SPINEBOARD ATTACHMENT



TOP VIEW



SIDE VIEW



THE REVOLUTION LIFT CAN BE PURCHASED WITH AN OPTIONAL SPINEBOARD ATTACHMENT (WITH SPINEBOARD) FOR ADDITIONAL FUNCTIONALITY. THE SPINEBOARD ATTACHMENT WILL WORK IN BOTH ABOVE-GROUND AND IN-GROUND CONFIGURATIONS, AND WILL ALSO CLEAR A 34" [86.4cm] SPA WALL WITH THE STANDARD SEAT-ARM. WITH THE OPTIONAL SPA SEAT-ARM THE SPINEBOARD ATTACHMENT WILL CLEAR A 48" [122cm] WALL. THE SPINEBOARD MEASURES 73" [185.4cm] LONG BY 18-1/4" [46.4cm] WIDE BY 2-1/2" [6.4cm] THICK, AND IS MADE OF ROTATIONALLY MOLDED LLDPE. THE ATTACHMENT IS MADE OF TYPE 304 STAINLESS STEEL, AND IS EPOXY POWDER COATED.

FOR ADDITIONAL SAFETY AND FUNCTIONALITY, A HEAD IMMOBILIZER & PADDED VELCRO STRAP KIT IS AVAILABLE AS AN OPTION TO THE SPINEBOARD ATTACHMENT. THE KIT COMES WITH A THICK-FOAM HEAD IMMOBILIZER AND THREE (3) PADDED VELCRO STRAPS.

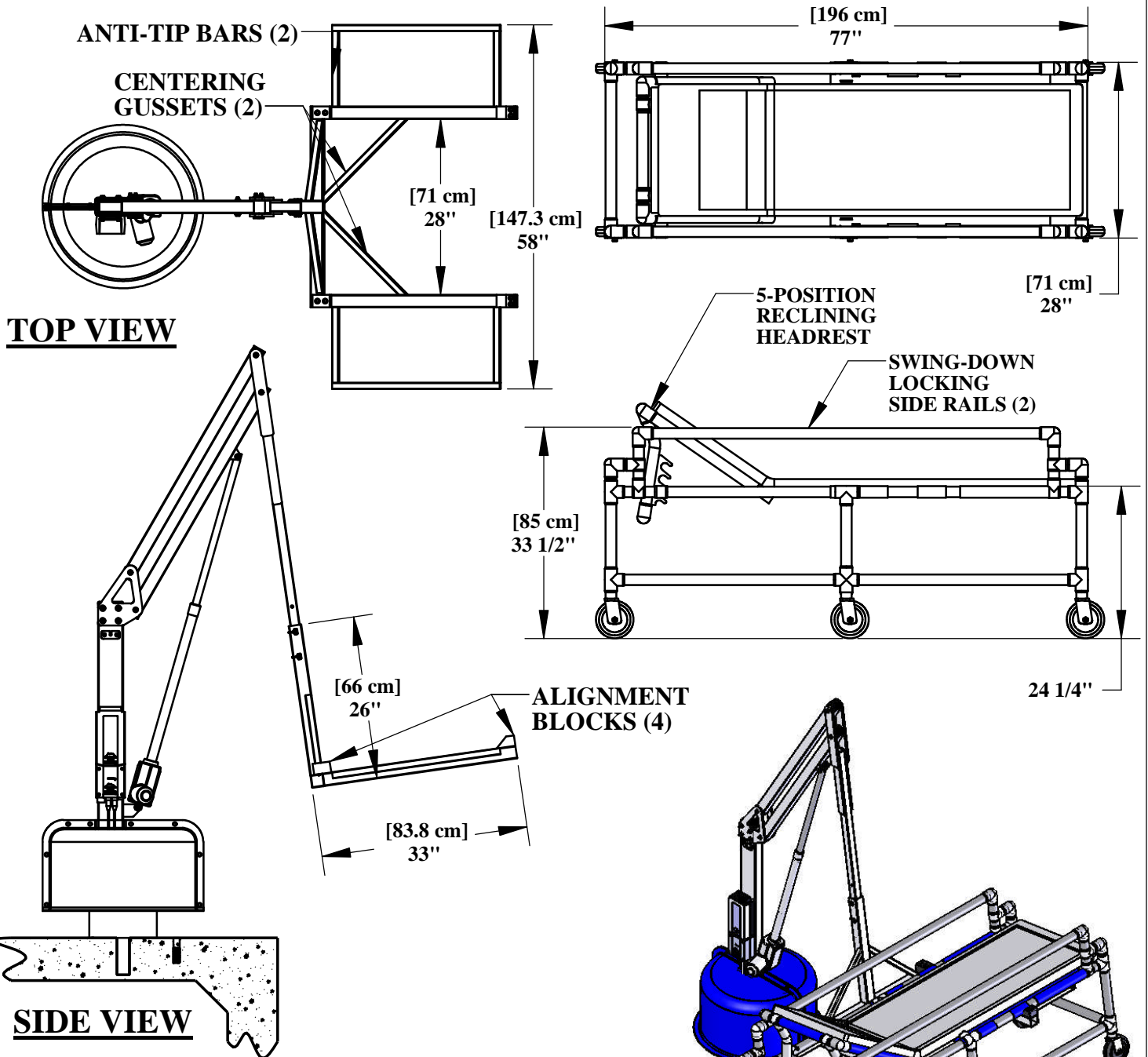


9889 GARRYMORE LANE
 MISSOULA, MT 59808
 (406) 549-0769
 FAX (406) 549-2602

NOTE:
 *SPECIFICATIONS ARE SUBJECT TO CHANGE WITHOUT NOTICE
 *ALL DIMENSIONS ARE IN INCHES

PRODUCT:	F-700RL & F-740SBA	
DWG #:	F-700RL-3	
SCALE:	1:30	DATE: 9/27/12
DRAWN BY:	DS	REVISION: N

REVOLUTION LIFT WITH OPTIONAL STRETCHER/GURNEY ATTACHMENT



THE REVOLUTION LIFT IS ALSO AVAILABLE WITH AN OPTIONAL STRETCHER/GURNEY ATTACHMENT FOR ADITIONAL VERSATILITY. THE STRETCHER/GURNEY ATTACHMENT IS MADE OF TYPE 304 STAINLESS STEEL, AND IS EPOXY POWDER COATED. IT HAS BEEN DESIGNED WITH ANTI-TIP BARS, AUTO-CENTERING GUSSETS AND ALIGNMENT BLOCKS FOR WORRY-FREE, SAFE OPERATION. A PVC GURNEY IS INCLUDED, AND IS MADE ENTIRELY OF POOL/SPA FRIENDLY MATERIALS INCLUDING; FURNITURE-GRADE PVC FRAME, STAINLESS STEEL HARDWARE, MILDEW-RESISTANT BED MATERIAL AND SIX (6) 6" [15 cm] STAINLESS STEEL CASTERS WITH SOLID WHEELS. THE PVC GURNEY ALSO HAS DUAL SWING-DOWN SIDE RAILS, A 5-POSITION RECLINING HEADREST, AND A WATERPROOF FOAM PAD (SEALED WITH VINYL COATING WHICH IS EASILY DISINFECTED).



9889 GARRYMORE LANE
 MISSOULA, MT 59808
 (406) 549-0769
 FAX (406) 549-2602

NOTE:
 *SPECIFICATIONS ARE SUBJECT TO CHANGE WITHOUT NOTICE
 *ALL DIMENSIONS ARE IN INCHES

PRODUCT:		F-700RL & F-730RSA	
DWG #:		F-700RL-4	
SCALE:	1:24	DATE:	9/27/12
DRAWN BY:	DS	REVISION:	N

THE REVOLUTION LIFT

US PATENT NO. D507,769 S

SPECIFICATIONS:

LIFTING CAPACITY: 500lbs [227kg]
STATIC LOAD CAPACITY: 750 lbs [340kg]

MAXIMUM WATER DRAFT (DECK TO WATER): 10" [25.4cm]
MAXIMUM SETBACK: 40" [102cm]

WEIGHT: 180 lbs [82 kg]

MATERIALS:

BASE: TYPE 304 STAINLESS STEEL, PVC, CONCRETE, RUBBER
MAST & ARMS: TYPE 304 STAINLESS STEEL
CHAIR & FOOTREST: LOW-DENSITY POLYETHYLENE
SAFETY BELT: HEAVY-DUTY POLYESTER STRAP, HOOK & LOOK FASTENER
POWDER COATING: EPOXY, APPLIANCE WHITE
FIXING ANCHOR-TAB: HIGH-DENSITY POLYETHYLENE
FIXING BOLT: ϕ 1/2"-13 X 2", 316 SS

STANDARD EQUIPMENT:

DUAL FLIP-UP ARMRESTS
FLIP-UP FOOTREST
22" WIDE CHAIR

24V BATTERY & CHARGER
WATERPROOF HANDSET/REMOTE
SAFETY BELT

AVAILABLE OPTIONS:

HEADREST ASSEMBLY
PULLOUT LEGREST

PART NUMBER
F-722HRR
F-105LAR



9889 GARRYMORE LANE
MISSOULA, MT 59808
(406) 549-0769
FAX (406) 549-2602

NOTE:
*SPECIFICATIONS ARE SUBJECT TO CHANGE WITHOUT NOTICE

PRODUCT:	F-700RL	
DWG #:	F-700RL-5	
SCALE:	1:24	DATE: 9/27/12
DRAWN BY:	DS	REVISION: N